

Installation Instructions

for Dryers

Original Instructions

Keep These Instructions for Future Reference.



CAUTION: Read the instructions before using the machine.


(If this machine changes ownership, this manual must accompany machine.)





www.alliancelaundry.com

Part No. D516910ENR1
October 2018


	WARNING
	Risk of fire. Highly flammable material.
	W881


 Read all instructions before using unit.


	WARNING
FOR YOUR SAFETY, the information in this manual must be followed to minimize the risk of fire or explosion or to prevent property damage, personal injury or death.	
	W033

	WARNING
<ul style="list-style-type: none"> • Do not store or use gasoline or other flammable vapors and liquids in the vicinity of this or any other appliance. • WHAT TO DO IF YOU SMELL GAS: <ul style="list-style-type: none"> • Do not try to light any appliance. • Do not touch any electrical switch; do not use any phone in your building. • Clear the room, building or area of all occupants. • Immediately call your gas supplier from a neighbor's phone. Follow the gas supplier's instructions. • If you cannot reach your gas supplier, call the fire department. • Installation and service must be performed by a qualified installer, service agency or the gas supplier. 	
	W052

IMPORTANT: Purchaser must consult the local gas supplier for suggested instructions to be followed if the dryer user smells gas. The gas utility instructions plus the SAFETY and WARNING note directly above must be posted in a prominent location near the dryer for customer use.

	WARNING
<ul style="list-style-type: none"> • Installation of unit must be performed by a qualified installer. • Install clothes dryer according to manufacturer's instructions and local codes. • DO NOT install a clothes dryer with flexible plastic venting materials. If flexible metal (foil type) duct is installed, it must be of a specific type identified by the appliance manufacturer as suitable for use with clothes dryers. Refer to section on connecting exhaust system. Flexible venting materials are known to collapse, be easily crushed, and trap lint. These conditions will obstruct clothes dryer airflow and increase the risk of fire. 	
	W729R1

	WARNING
To reduce the risk of severe injury or death, follow all installation instructions. Save these instructions.	
	W894

	WARNING
<p>FOR YOUR SAFETY</p> <p>Do not store or use gasoline or other flammable vapors and liquids in the vicinity of this or any other appliance.</p>	
	W053

This product uses FreeRTOS V7.2.0 (www.freertos.org).

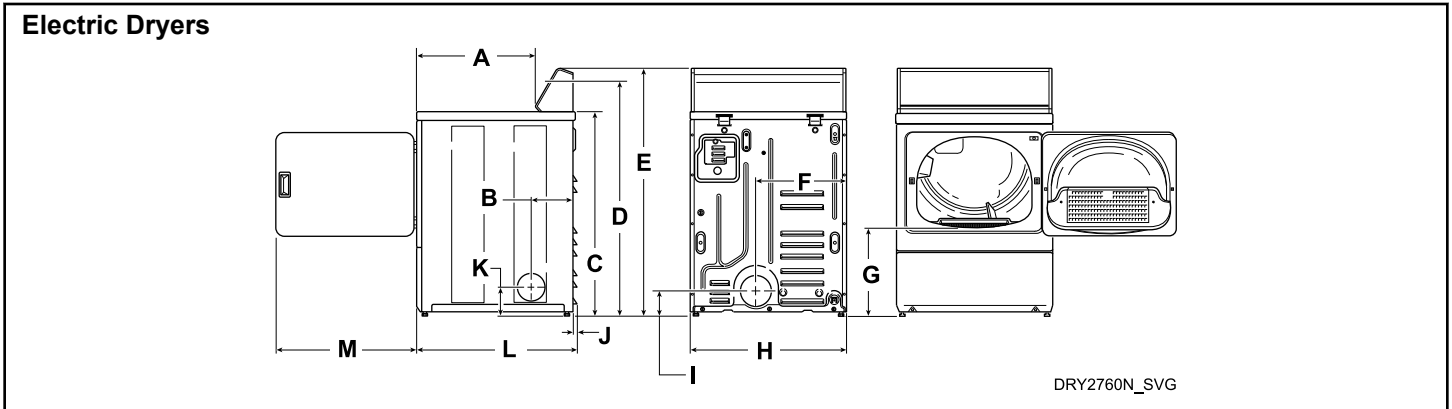
Table of Contents

Dimensions.....	5
Installation.....	7
Before You Start.....	7
Supplies.....	7
Order of Installation Steps.....	7
Position and Level the Dryer.....	7
Connect Dryer Exhaust System.....	9
Exhaust Direction.....	10
Exhaust System.....	10
Gas Dryers - Connect Gas Supply Pipe.....	11
Reverse Door, if Desired.....	13
Wipe Out Inside of Dryer.....	14
Connect Dryer to Electrical Power.....	14
Electrical Requirements.....	15
Earth/Ground Information.....	16
Recheck Steps.....	16
Check Heat Source.....	16
Electric Dryers.....	17
Gas Dryers.....	17
Installer Checklist.....	18

© Copyright 2018, Alliance Laundry Systems LLC

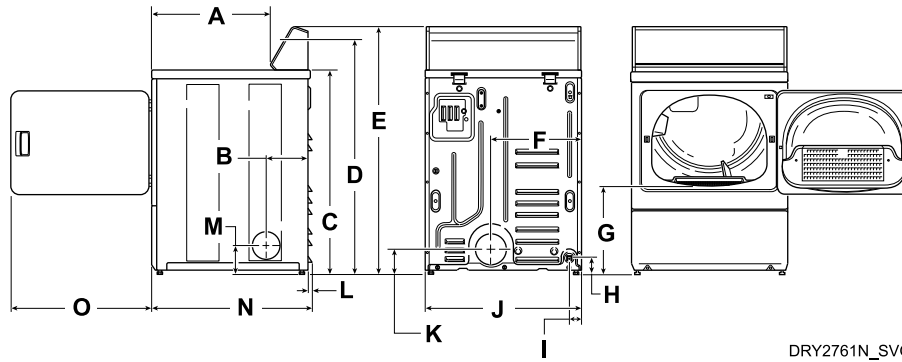
All rights reserved. No part of the contents of this book may be reproduced or transmitted in any form or by any means without the expressed written consent of the publisher.

Dimensions



A	569 mm [22.38 in.]
B	203 mm [8.0 in.]
C	* 914 mm [36 in.]
D (to controls)	Electronic Control: *1048 mm [41.25 in.] Knob Control: *1035 mm [40.75]
E	* 1086 mm [42.75 in.]
F	391 mm [15.4 in.]
G	* 392 mm [15.44 in.]
H	683 mm [26.875 in.]
I	* 102 mm [4.0 in.]
J	11 mm [0.4 in.]
K	* 114 mm [4.5 in.]
L	711 mm [28 in.]
M	597 mm [23.5 in.]
NOTE: Exhaust openings are 102 mm [4 inch] metal ducting.	* With leveling legs turned into base.

Gas Dryers



DRY2761N_SVG

1. 3/8 in. N.P.T. Gas Connection

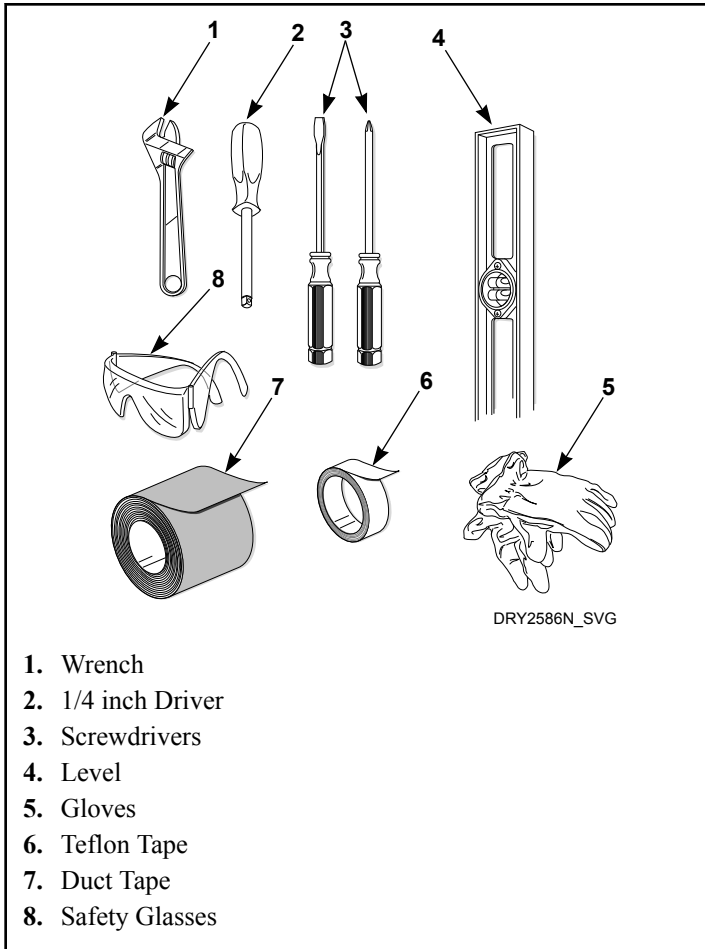
A	569 mm [22.38 in.]
B	203 mm [8.0 in.]
C	* 914 mm [36 in.]
D	Electronic Control: *1048 mm [41.25 in.] Knob Control: *1035 mm [40.75]
E	* 1086 mm [42.75 in.]
F	391 mm [15.4 in.]
G	* 392 mm [15.44 in.]
H	* 70 mm [2.8 in.]
I	60 mm [2.3 in.]
J	683 mm [26.875 in.]
K	* 102 mm [4 in.]
L	10 mm [0.4 in.]
M	* 114 mm [4.5 in.]
N	711 mm [28 in.]
O	597 mm [23.5 in.]
NOTE: Exhaust openings are 102 mm [4 inch] metal ducting.	* With leveling legs turned into base.

Installation

Before You Start

Supplies

For most installations, the basic supplies you will need are:



1. Wrench
2. 1/4 inch Driver
3. Screwdrivers
4. Level
5. Gloves
6. Teflon Tape
7. Duct Tape
8. Safety Glasses

Figure 1

NOTE: This appliance is suitable for use in countries having a warm, damp climate.



WARNING

Any disassembly requiring the use of tools must be performed by a suitably qualified service person.

W299

Order of Installation Steps

1. Position and level the dryer.
2. Connect dryer to exhaust system.
3. For gas models only, connect the gas supply pipe. Check for gas leaks.

4. Wipe out the inside of the dryer.
5. Recheck steps.
6. Start and run the dryer in a heat setting to verify dryer is heating.

Position and Level the Dryer

1. Install dryer before washer. This allows room for attaching exhaust duct.
2. Select a location with a solid floor. Dryers installed in residential garages must be elevated 457 mm [18 inches] above the floor.

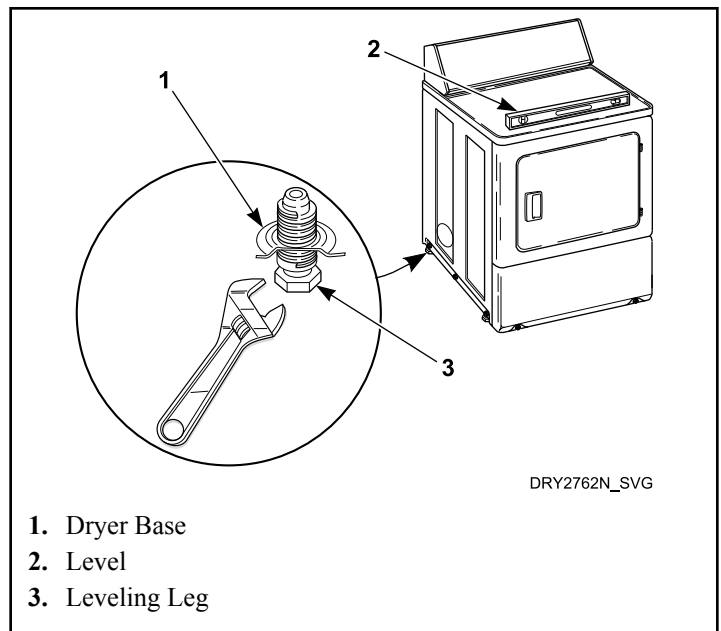
No other fuel burning appliance should be installed in the same closet with the dryer.

The dryer must not be installed or stored in an area where it will be exposed to water and/or weather.

Leveling legs can be adjusted from inside the dryer with 1/4 in. driver. All four legs must rest firmly on the floor so the weight of the dryer is evenly distributed.

The dryer needs sufficient clearance and an adequate air supply for proper operation and ventilation, and for easier installation and servicing. (Minimum clearances are shown in *Figure 3*).

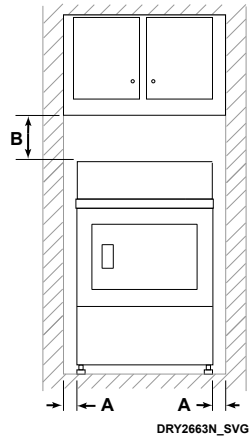
3. Place the dryer in position, and adjust the legs until the dryer is level from side to side and front to back. The dryer must not rock.



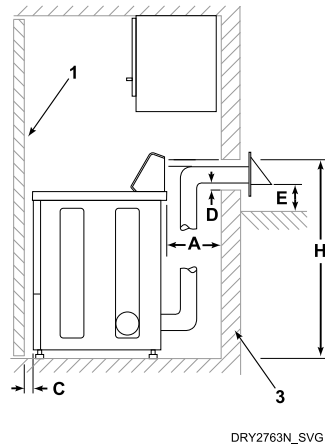
1. Dryer Base
2. Level
3. Leveling Leg

Figure 2

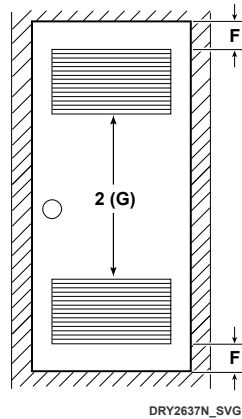
Front View (Without Closet Door)



Side View (Closet Door)



Front View (Closet Door)



- 1. Closet Door
- 2. Centered Air Openings (G) (2 Openings minimum)
- 3. Outer Wall of Enclosure

Figure 3


Area	Description	Free Standing/Alcove Installation	Closet Installation
A*	Dryer sides and rear clearance	0 mm [0 in.]	0 mm [0 in.]
B	Dryer top clearance	305 mm [12.25 in.]	305 mm [12.25 in.]
C	Dryer front clearance	Not Applicable	51 mm [2 in.]
D	Exhaust duct clearance to combustible material	51 mm [2 in.]	51 mm [2 in.]
E	Weather hood to ground clearance	305 mm [12 in.]	305 mm [12 in.]
F	Distance from floor or ceiling to air opening edge	Not Applicable	76 mm [3 in.]
G	Area of centered air openings in closet door. Louvered door with equivalent air openings is acceptable. (Minimum clearances are shown.)	Not Applicable	260 sq. cm/open [40 sq. in./open]
H	For new installations, locate top of wall vent 1067 mm [42 inches] above floor to make venting easier to connect.	1067 mm [42 in.]	1067 mm [42 in.]
*	Rear clearance is minimum. 51 mm [2 inches] is recommended for utility connection. 152 mm [6 inches] is recommended when venting through rear of unit.		


Table 1


NOTE: For new installations, it is suggested to locate top of wall vent 42 inches (106.7 cm) above floor to make venting easier to connect.

IMPORTANT: In mobile home installations, gas dryers **MUST** be permanently attached to the floor at the time of installation. Order No. 526P3 Dryer Installation Kit (available at extra cost) for a manufactured (mobile) home installation. Follow the instructions supplied with the kit.

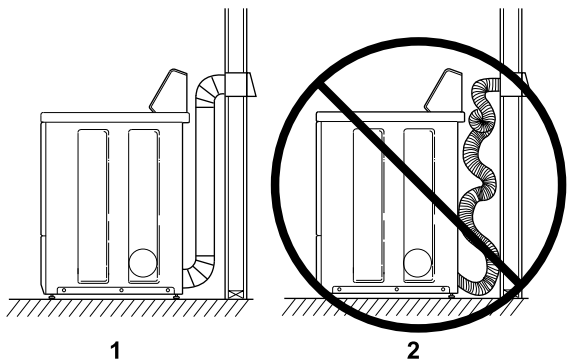
Connect Dryer Exhaust System

	WARNING
<p>To reduce the risk of fire and combustion gas accumulation the dryer MUST be exhausted to the outdoors.</p>	
W604	

	WARNING
<p>To reduce the risk of fire and the accumulation of combustion gases, DO NOT exhaust dryer air into a window well, gas vent, chimney or enclosed, unventilated area, such as an attic, wall, ceiling, crawl space under a building or concealed space of a building.</p>	
W045	

	WARNING
<p>To reduce the risk of fire, DO NOT use plastic or thin foil ducting to exhaust the dryer.</p>	
W354	

	WARNING
<p>To reduce the risk of fire, the exhaust duct and weather hood MUST be fabricated of a material that will not support combustion. Rigid or flexible metal pipe is recommended for a clothes dryer.</p>	
W048	



1
2

DRY2764N_SVG

1. Correct
 2. Incorrect

Figure 4

- DO NOT use plastic, thin foil or type B ducting. Rigid metal duct is recommended.
- Locate dryer so exhaust duct is as short as possible.
- Be certain old exhaust ducts are cleaned before installing your new dryer.
- Use 102 mm [4 inch] diameter rigid or flexible metal duct.
- The male end of each section of duct must point away from the dryer.
- Use as few elbows as possible.
- Use of duct tape or pop-rivets on all seams and joints is recommended, if allowed by local codes. DO NOT use sheet metal screws or fasteners on exhaust pipe joints which extend into the duct and catch lint.
- Ductwork that runs through unheated areas must be insulated to help reduce condensation and lint build-up on pipe walls.
- In mobile home installations, dryer exhaust duct must be secured to mobile home structure.

- Dryer exhaust duct **MUST NOT** terminate under mobile home.
- Exhaust duct must not be connected to any other duct, vent, or chimney.
- DO NOT install flexible duct in concealed spaces, such as a wall or ceiling.
- Exhausting dryer in hard-to-reach locations can be done by installing 521P3 Flexible Metal Vent Kit (available as optional equipment at extra cost).
- Sufficient make-up air must be supplied to replace the air exhausted by the dryer. The free area of any opening for outside air must be at least 25806 mm² [40 in.²] per unit.
- Failure to exhaust dryer properly will void warranty.
- A dryer will dissipate 681,392 J/m² [60 Btu/ft²] of surface area exposed to the conditioned air.

NOTE: Venting materials are not supplied with the dryer (obtain locally).

IMPORTANT: DO NOT block the airflow at the bottom of the dryer's front panel with laundry, rugs, etc. Blockage will decrease airflow through the dryer, thus reducing the efficiency of the dryer.

Exhaust Direction

The dryer can be exhausted to the outdoors through the back, left, right or bottom of the dryer. **EXCEPTION:** Gas dryers cannot be vented out the left side because of the burner housing.

Dryer is shipped from factory ready for rear exhaust.

Exhausting the dryer through sides or bottom can be accomplished by installing a Directional Exhaust Kit, 528P3, available as optional equipment at extra cost.

Exhaust System

For best drying results, recommended maximum length of exhaust system is shown in *Table 2*.

To prevent backdraft when dryer is not in operation, outer end of exhaust pipe must have a weather hood with hinged dampers (obtain locally).

NOTE: Weather hood should be installed at least 305 mm [12 inches] above the ground. Larger clearances may be necessary for installations where heavy snow-fall can occur.

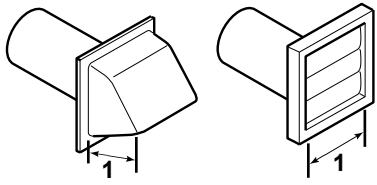
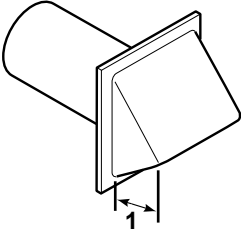

Number of 90° Elbows	Weather Hood Type	
	Recommended	Use Only for Short Run Installations
	 <p>1. 102 mm [4 in.]</p> <p>D673L_SVG</p>	 <p>1. 64 mm [2.5 in.]</p> <p>D802L_SVG</p>
Maximum length of 102 mm [4 in.] diameter rigid metal duct.		
0	19.8 m [65 feet]	16.8 m [55 feet]
1	16.8 m [55 feet]	14.3 m [47 feet]
2	14.3 m [47 feet]	12.5 m [41 feet]
3	11.0 m [36 feet]	9.1 m [30 feet]
4	8.5 m [28 feet]	6.7 m [22 feet]

Table 2

NOTE: Deduct 1.8 m [6 feet] for each additional elbow.

Gas Dryers - Connect Gas Supply Pipe

	WARNING
<p>To reduce the risk of gas leaks, fire or explosion:</p> <ul style="list-style-type: none"> • The dryer must be connected to the type of gas as shown on nameplate located in the door recess. • Use a new flexible stainless steel connector. • Use pipe joint compound insoluble in L.P. (Liquefied Petroleum) Gas, or Teflon tape, on all pipe threads. • Purge air and sediment from gas supply line before connecting it to the dryer. Before tightening the connection, purge remaining air from gas line to dryer until odor of gas is detected. This step is required to prevent gas valve contamination. • Do not use an open flame to check for gas leaks. Use a non-corrosive leak detection fluid. • Any disassembly requiring the use of tools must be performed by a suitably qualified service person. 	
W316	

Installation

1. Make certain your dryer is equipped for use with the type of gas in your laundry room.

Models with "G" or "K" in third character of model number: Dryer is equipped at the factory for Natural Gas with a 9.5 mm [3/8 inch] NPT gas connection.

Models with "L" or "P" in third character of model number: Dryer is equipped at the factory for Liquefied Petroleum Gas (L.P.) with a 9.5 mm [3/8 inch] NPT gas connection.

NOTE: The gas service to a gas dryer must conform with the local codes and ordinances, or in the absence of local codes and ordinances, with the latest edition of the National Fuel Gas Code ANSI Z223.1/ NFPA 54 or the CAN/CSA-B149.1 Natural Gas and Propane Installation Code.

Natural Gas, 37.3 MJ/m³ [1000 Btu/ft³], service must be supplied at minimum 127 mm [5.0 inch] water column pressure to maximum 267 mm [10.5 inch] water column pressure.

For proper operation at altitudes above 760 m [2500 feet] the natural gas valve spud orifice size must be reduced to ensure complete combustion. Refer to *Table 3*.

Natural Gas Altitude Adjustments			
Altitude	Orifice Size		Part No.
m [feet]	No.	mm [inches]	
760 [2500]	45	2.08 [0.0820]	D503779
1370 [4500]	46	2.06 [0.0810]	D503780
1830 [6000]	47	1.99 [0.0785]	D503781
2290 [7500]	48	1.93 [0.0760]	D503782
2900 [9500]	49	1.85 [0.0730]	D503783
3355 [11000]	50	1.78 [0.0700]	D503784

Table 3

L.P. (Liquefied Petroleum) Gas, 93.1 MJ/m³ [2500 Btu/ft.³], service must be supplied at 10 ± 1.5 inch water column pressure.

For proper operation at altitudes above 1370 m [4500 feet] the L.P. gas valve spud orifice size must be reduced to ensure complete combustion. Refer to *Table 4*.

L.P. Altitude Adjustments			
Altitude	Orifice Size		Part No.
m [feet]	No.	mm [inches]	
1370 [4500]	56	1.2 [0.0465]	D503786
3000 [9500]	57	1.1 [0.0430]	60941

Table 4

NOTE: Models not factory-equipped for L.P.: DO NOT connect the dryer to L.P. Gas Service without converting the gas valve. Install L.P. Gas Conversion Kit 401P3, available at extra cost.

2. Remove the shipping cap from the gas connection at the rear of the dryer. Make sure you do not damage the pipe threads when removing the cap.

NOTE: If gas supply connection is British Standard Pipe Tapered thread (BSPT), order 44178804 brass female NPT (FPT) to male BSPT gas pipe thread adapter, available at extra cost.

3. Connect to gas supply pipe using thread sealant or Teflon tape. Torque 10.2 - 19.7 Nm [90 - 175 inch-pounds].

NOTE: The connection of gas supply to the appliance shall be made with a flexible hose suitable for the appliance category in accordance with national installation regulations of the country of destination. If in doubt contact the dryer distributor or manufacturer.

NOTE: When connecting to a gas line, an equipment shut-off valve suitable for the appliance category in accordance with national installation regulations of the country of destination must be installed within 1.8 m [6 feet] of the dryer. A 1/8 in. NPT pipe plug must be installed as shown for checking inlet pressure. Refer to *Figure 5*.

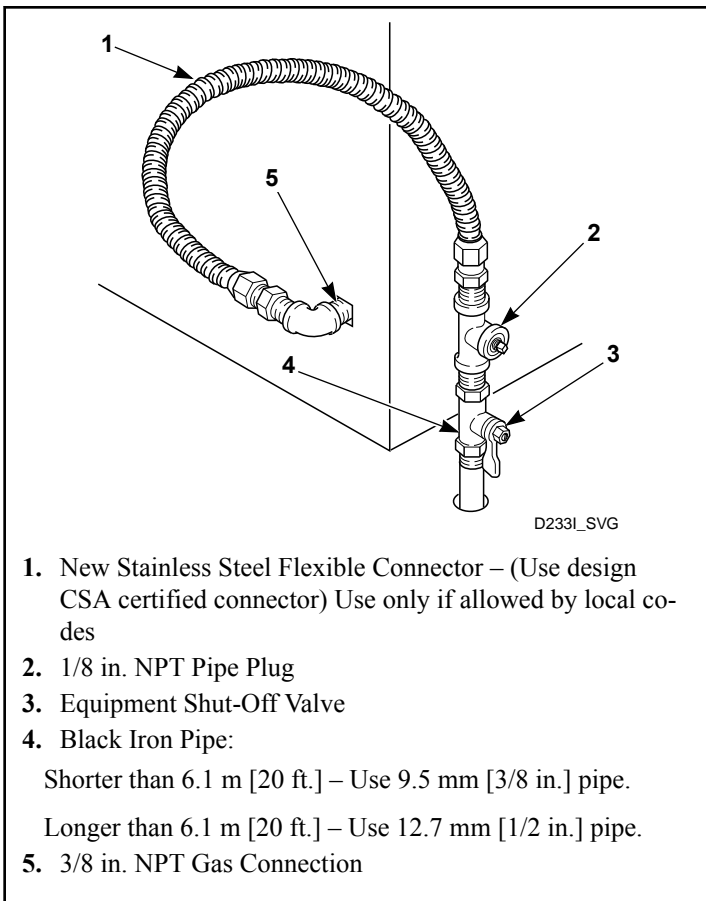


Figure 5

1. New Stainless Steel Flexible Connector – (Use design CSA certified connector) Use only if allowed by local codes
2. 1/8 in. NPT Pipe Plug
3. Equipment Shut-Off Valve
4. Black Iron Pipe:
Shorter than 6.1 m [20 ft.] – Use 9.5 mm [3/8 in.] pipe.
Longer than 6.1 m [20 ft.] – Use 12.7 mm [1/2 in.] pipe.
5. 3/8 in. NPT Gas Connection

4. Tighten all connections securely but don't overtighten to avoid breaking or bending the gas valve bracket. Turn on gas and check all pipe connections (internal & external) for gas leaks with a non-corrosive leak detection fluid.

NOTE: The dryer and its appliance main gas valve must be disconnected from the gas supply piping system during any pressure testing of that system at test pressures in excess of 3.45 kPa [1/2 psi]. Refer to *Check Heat Source*.

Reverse Door, if Desired

NOTE: Doors with windows cannot be reversed.

The door on this dryer is completely reversible. To reverse door proceed as follows:

1. Remove four hinge attaching screws.

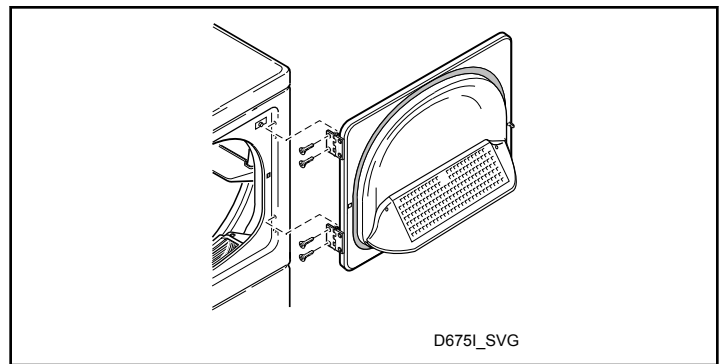


Figure 6

2. Remove all nine screws.

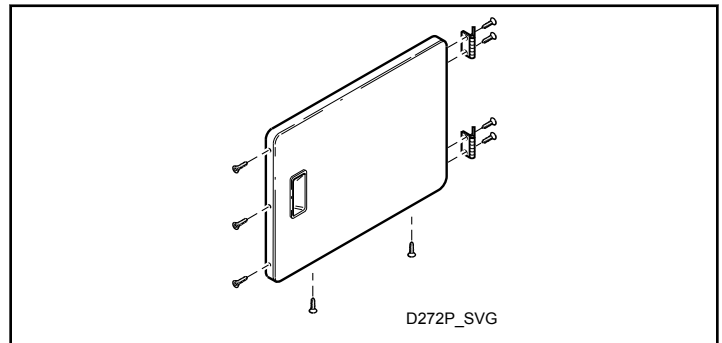


Figure 7

3. Pull bottom of door liner out, then pull down, removing door liner from door panel.

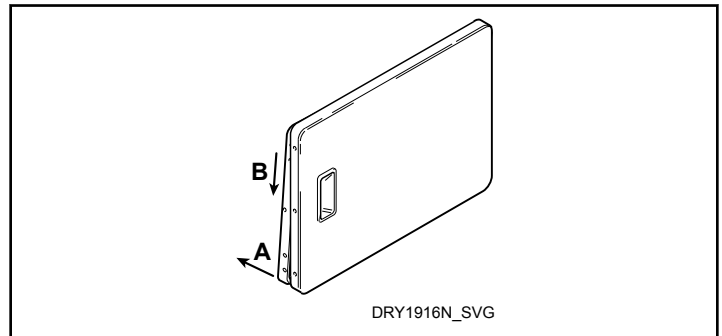


Figure 8

4. Rotate door panel 180 degrees as shown.

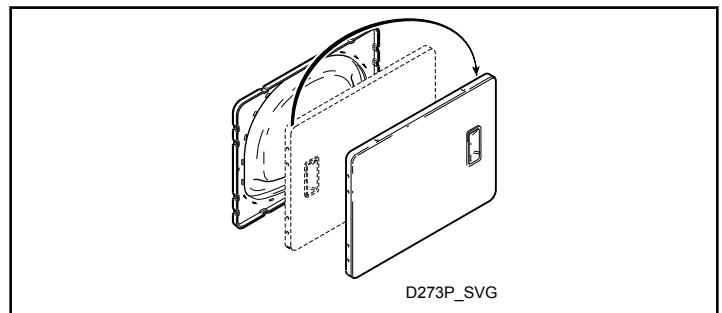


Figure 9

Installation

5. Remove door strike from door liner and reinstall on opposite side.

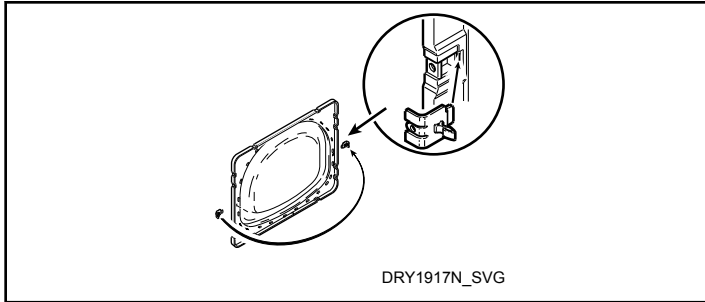


Figure 10

6. Insert liner under flange on bottom of door, then push top of door liner into place.

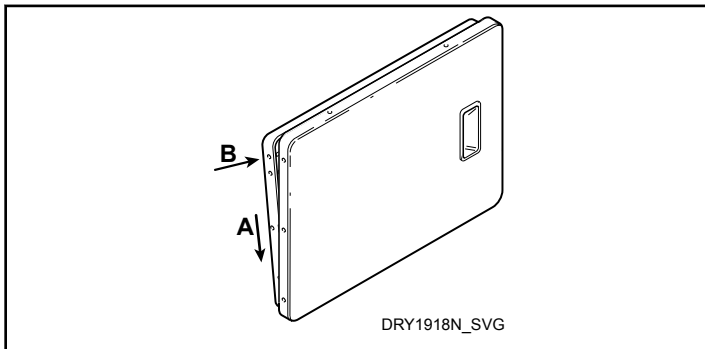


Figure 11

7. Reinstall nine screws removed in Step 2.

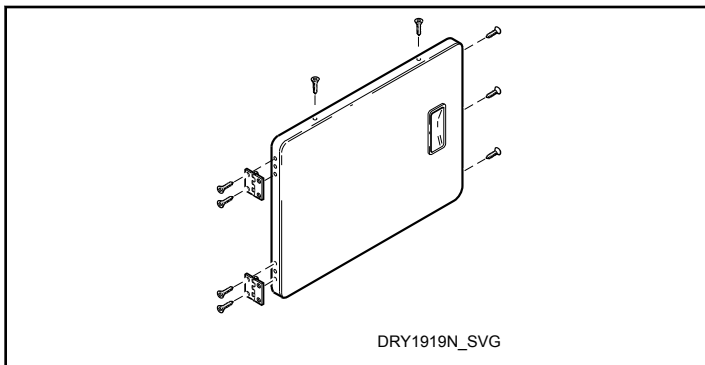


Figure 12

8. Using screwdriver, remove two door plugs, and reinstall on opposite side of door opening.

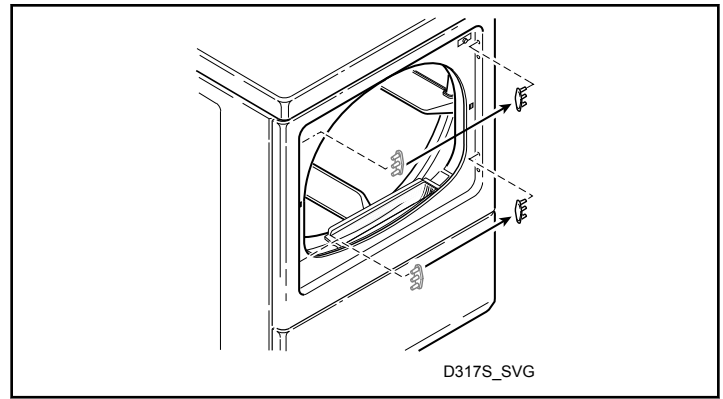


Figure 13

9. Reinstall four hinge attaching screws, removed in Step 1.

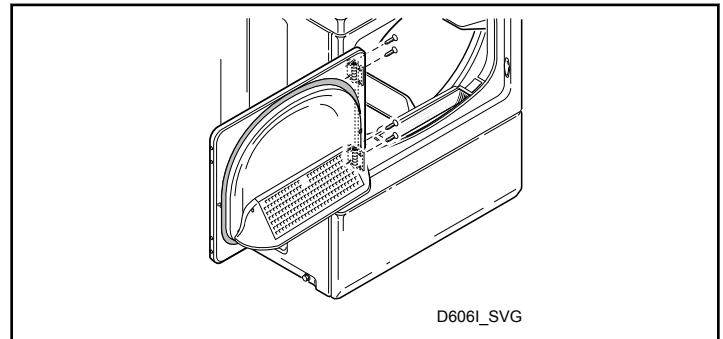


Figure 14

Wipe Out Inside of Dryer

Before using dryer for the first time, use an all-purpose cleaner, or a detergent and water solution, and a damp cloth to remove shipping dust from inside dryer drum.

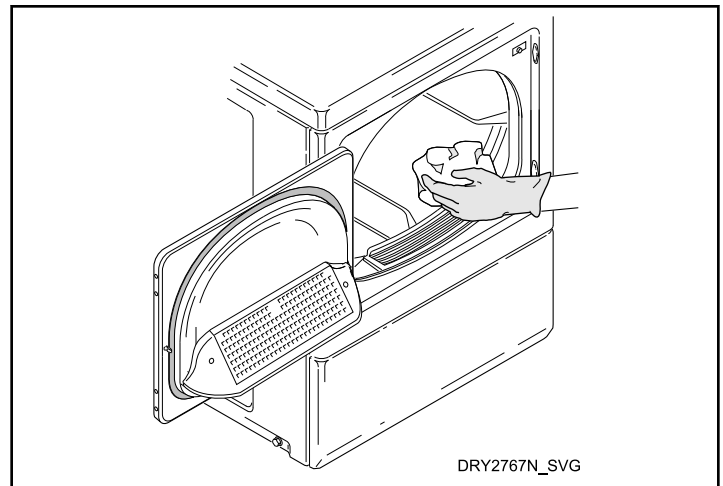



Figure 15

Connect Dryer to Electrical Power

If the supply cord is damaged, it must be replaced by the manufacturer, its service agent or similarly qualified persons in order to avoid a hazard.


This appliance is to be supplied through a residual current device (RCD) having a rated residual operating current not exceeding 30 mA.

NOTE: The wiring diagram is located in the control hood.

	WARNING
<p>Improper connection of the equipment earth/ground conductor can result in a risk of electric shock. Check with a qualified electrician or service person if you are in doubt as to whether the dryer is properly connected to a protective earth/ground.</p>	
W886	

If the laundry room's electrical supply does not meet the specifications for the dryer and/or you are not sure the laundry room has an effective earth/ground, have a qualified electrician or the local electrical utility company check it and correct any problems.

Electrical Requirements

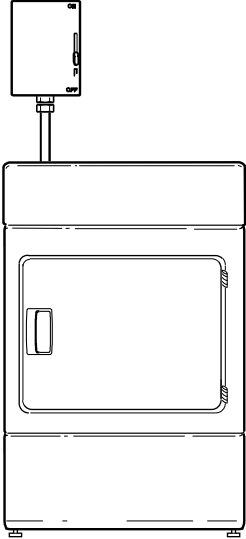
	WARNING
<p>The appliance must not be supplied through an external switching device, such as a timer, or connected to a circuit that is regularly switched on and off by a utility.</p>	
W943	

Electric Models Factory-Equipped with Power Cord and No Plug

220 Volt/60 Hertz

This dryer is designed to be operated on a separate polarized three-wire, earth/ground, 220 Volt, 60 Hertz single-phase electrical circuit protected by a 30 ampere fuse, equivalent fusetron or circuit breaker. Refer to *Figure 16* for electrical connection.

Machine Must Be Hard Wired



DRY1958N_SVG1

NOTE: Electrical disconnect must be located so that it is easily accessible with machine in place. Machine must be hard wired. An intermediate shut-off box that provides all pole disconnection from the supply mains must be used in compliance with all local electrical codes.

Figure 16

Electric Models Factory-Equipped with Power Cord and Plug

240 Volt/50 Hertz

This dryer is designed to be operated on a separate polarized three-wire, earth/ground, 240 Volt, 50 Hertz single-phase electrical circuit protected by a 30 ampere fuse, equivalent fusetron or circuit breaker. Refer to *Figure 17* for electrical connection.

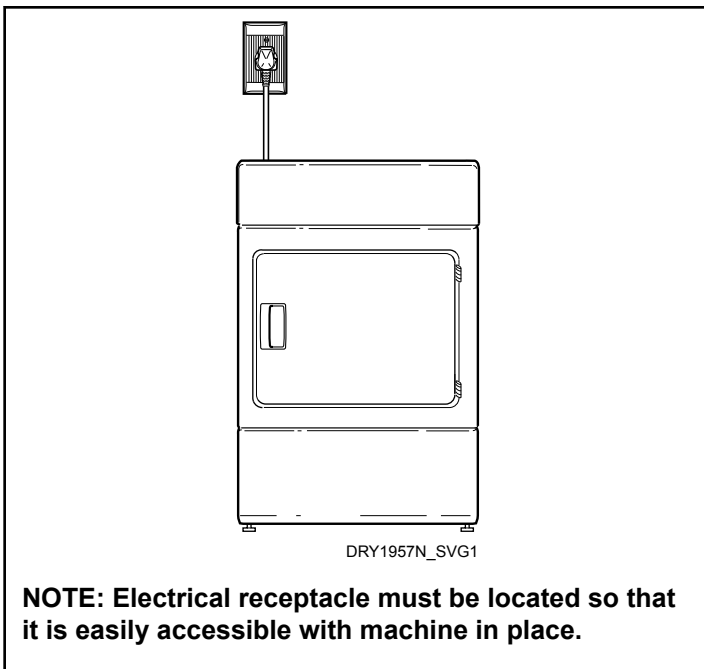


Figure 17

Gas Models

220 Volt/60 Hertz

This dryer is designed to be operated on a separate polarized three-wire, earth/ground, 220 Volt, 60 Hertz single-phase electrical circuit protected by a 10 ampere fuse, equivalent fusetron or circuit breaker. Refer to *Figure 18* for electrical connection.

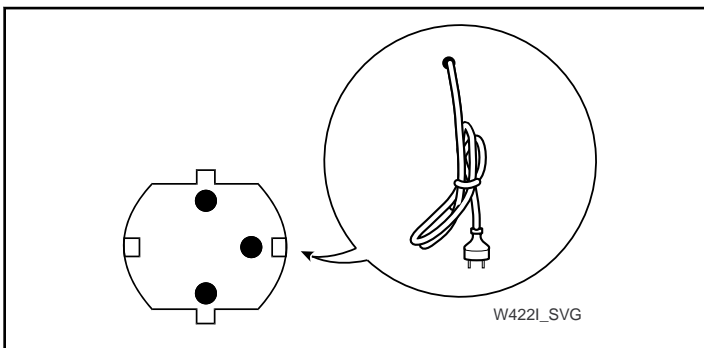


Figure 18

Earth/Ground Information

Models Factory-Equipped with Power Cord and No Plug

- The dryer must be connected to a metal, permanent wiring system that is properly installed and connected to a protective earth/ground; or an equipment-earth/ground conductor must be run with the circuit conductors and connected to the equipment-earth/ground terminal or lead on the dryer.
- Refer to dryer serial plate for electrical requirements. Circuit must be fused and wired to handle requirements. The dryer has its own EMI Filter that must be connected to a separate

branch, single-phase circuit, fused and wired to handle Voltage, Hertz and other requirements listed on serial plate.

Models Factory-Equipped with Power Cord and Plug

This appliance must be properly connected to protective earth/ground. In the event of malfunction or breakdown, the earth/ground will reduce the risk of electric shock by providing a path of least resistance for electric current.

The appliance is equipped with a cord having an equipment earth/ground conductor and a three-prong earth/ground plug. The plug must be plugged into an appropriate outlet that is properly installed and connected to a protective earth/ground in accordance with all local codes and ordinances.

	WARNING
<p>This dryer is equipped with a three-prong earth/ground plug for your protection against shock hazard and should be properly connected to protective earth/ground three-prong receptacle. Do not cut or remove the earth/ground prong from this plug.</p>	
W887	

	WARNING
<p>Improper connection of the equipment earth/ground conductor can result in a risk of electric shock. Check with a qualified electrician or service person if you are in doubt as to whether the unit is properly connected to a protective earth/ground.</p>	
W893	

DO NOT modify the plug provided with the unit – if it will not fit the outlet, have a proper outlet installed by a qualified electrician

Do not operate other appliances on the same circuit.

	WARNING
<p>To reduce the risk of an electric shock or fire, DO NOT use an extension cord or an adapter to connect the dryer to the electrical power source.</p>	
W037	

Recheck Steps

Refer to Installer Checklist on the back cover of this manual and make sure that dryer is installed correctly.

Check Heat Source

Electric Dryers

1. Close the loading door and start the dryer in a heat setting (refer to the operation instructions).
2. After the dryer has operated for three minutes, the exhaust air or exhaust pipe should be warm.

Gas Dryers

IMPORTANT: This operation is to be conducted by qualified personnel only.

1. To view the burner flame, remove the lower front panel of the dryer.
2. Close the loading door and start the dryer in a heat setting (refer to the operation instructions). The dryer will start, the igniter will glow red and the main burner will ignite.

IMPORTANT: If all air is not purged out of gas line, gas igniter may go off before gas is ignited. If this happens, after approximately two minutes igniter will again attempt gas ignition.

IMPORTANT: If igniter does not light, make sure gas is turned on.

3. After the dryer has operated for approximately five minutes, observe burner flame through lower front panel.
4. Adjust the air shutter to obtain a soft, uniform blue flame. (A lazy, yellow-tipped flame indicates lack of air. A harsh, roaring, very blue flame indicates too much air.) Adjust the air shutter as follows:
 - a. Loosen the air shutter lockscrew.
 - b. Turn the air shutter to the left to get a luminous yellow-tipped flame, then turn it back slowly to the right to obtain a steady, soft blue flame.
 - c. After the air shutter is adjusted for proper flame, tighten the air shutter lockscrew securely.
5. Reinstall the lower front panel.



WARNING

To reduce the risk of serious injury or death, lower front panel must be in place during normal operation.

W158

6. After the dryer has operated for approximately three minutes, exhaust air or exhaust pipe should be warm.

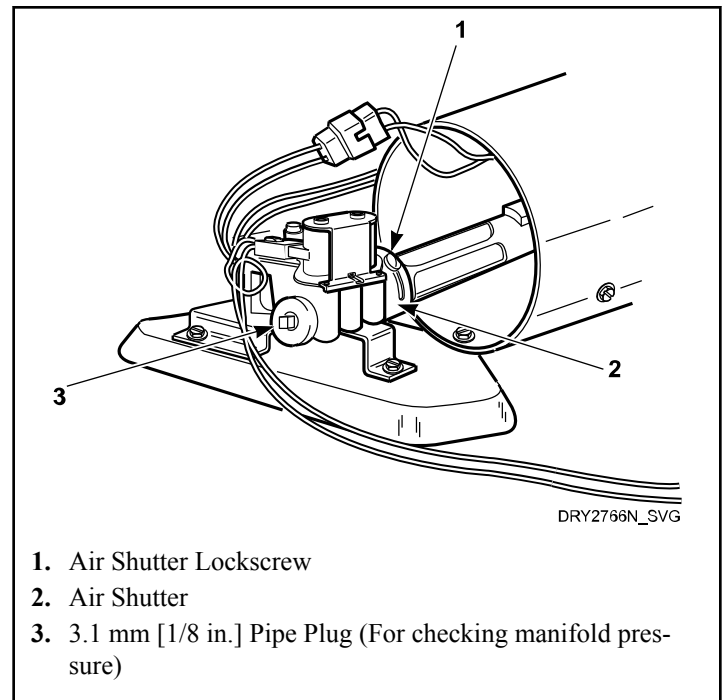
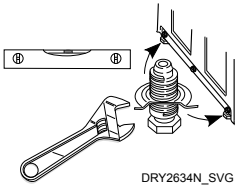
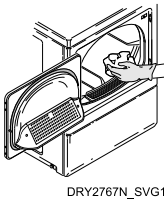
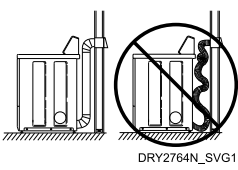
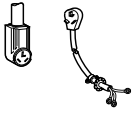
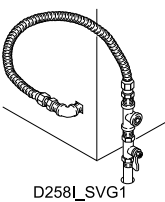
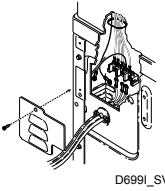
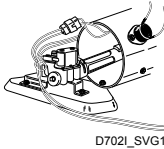
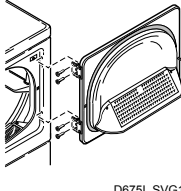


Figure 19

Installer Checklist

Fast Track for Installing the Dryer

1	Position and Level the Dryer.		6	Wipe Out Inside of Dryer.	
	CHECK			CHECK	
2	Connect Dryer Exhaust System.		7	Plug In the Dryer.	Electric
	CHECK			CHECK	
					Gas
3	GAS ONLY <ul style="list-style-type: none"> Connect Gas Supply Pipe. Check for Gas Leaks. 		8	Recheck Steps.	
	CHECK			CHECK	
4	ELECTRIC ONLY <ul style="list-style-type: none"> Connect Electrical Cord. 		9	Check Heat Source	
	CHECK			CHECK	
5	Reverse Door, if Desired.				
	CHECK				

Refer to the manual for more detailed information